

VisionRacer VR3

CLIENT ASSEMBLY MANUAL

Rev - 1.0



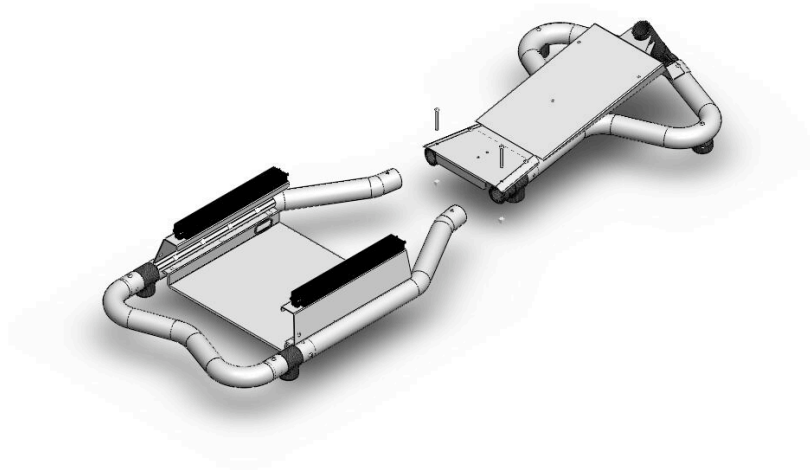
PACKAGE CONTENTS

1. Rear Assembly
2. Slider Rail Lever
3. Seat Brackets
4. Front Assembly
5. Spine
6. Wheel Mount
7. Tool Bag
 - a. 1 – Black VisionRacer Tool Bag
 - b. 1 – 8 / 10mm Ring Spanner
 - c. 1 – 11 / 13mm Spanner
 - d. 1 – 3mm Hex Key
 - e. 1 – 4mm Hex Key
 - f. 1 – 5mm Hex Key
 - g. 1 – 1m Wire Feeding Line
8. Parts Bag (Stored in top cavity of tool bag)
 - a. 4 – M8X15 Low Head Cap Screws
 - b. 4 – M8 Nylock Nuts
 - c. 4 – M5X12 Button Head Cap Screws
 - d. 5 – Small Cable Ties
 - e. 2 – Velcro Strips (For Mounting Logitech Driving Force GT Pedals)
9. Bucket Seat

ASSEMBLING YOUR VR3 RIG

STEP 1:

- Place your front and rear chassis assemblies on a flat surface as shown.
- Remove rear bolts from front assembly.
- Attach rear assembly and front assembly and reinsert bolts.



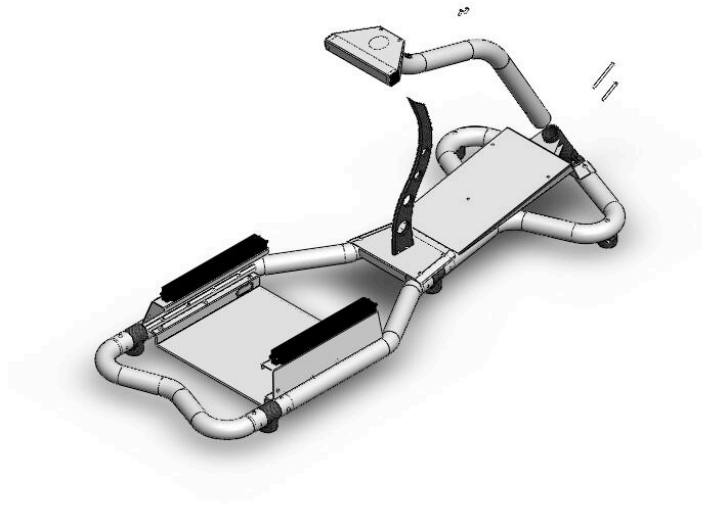
STEP 2:

- Attach Carbon Spine to footrest and fasten with:
 - 2 – M5X12 Button Head Cap Screws (in toolbag)



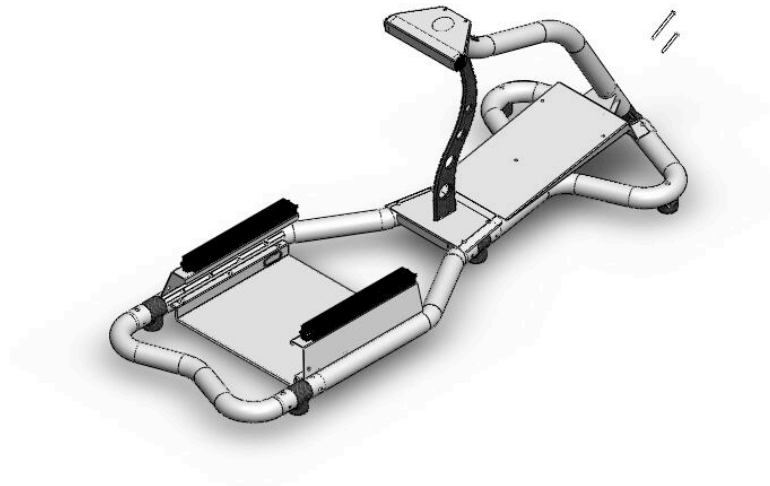
STEP 3:

- Remove two bolts from Front Carbon Connector.
- Slide Swan Neck onto Front Carbon Connector.
- Fasten Swan Neck to Carbon Spine with:
 - 2 – M5X12 Button Head Cap Screws (in toolbag)
- *Note: Do not reinstall bolts into front connector until you have installed your Steering Wheel Cabling.*



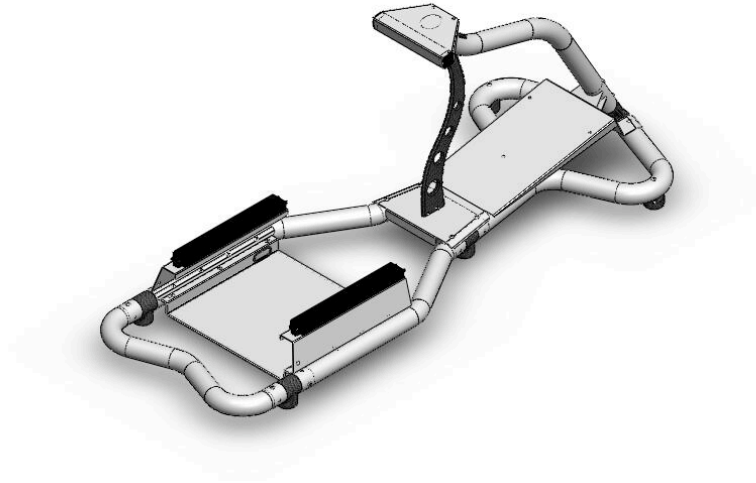
STEP 4:

- See Chapter 5 – Installing Steering Wheel And Pedals



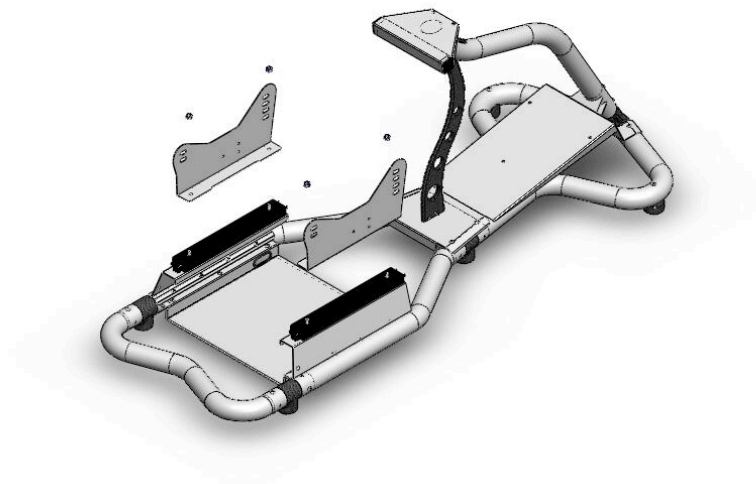
STEP 5:

- Once Steering Wheel is mounted and wired up replace two front bolts and nuts and tighten securely.



STEP 6:

- Install seat brackets and fasten with:
 - 4 – M8X15 Black Low Head Cap Screws (install from bottom)
 - 4 – M8 Nylock Nuts (fasten nuts on top)



STEP 7:

- *Note: If you have purchased a gear shifter mount for use with G25 be sure to install your gear shifter mount prior to installing the seat. See Chapter 3 – Installing the Gear Shifter Mount.*
- Remove plastic hand wheels from seat.
- Install seat into brackets and reinsert plastic hand wheels.



STEP 8:

- Check all nuts and bolts to ensure these are tight.

